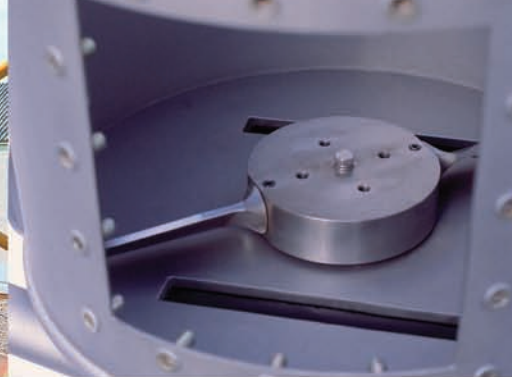




- Ideal discharging device for bulk materials that do not flow readily such as lime, gypsum, powders, dusts, etc.
- High level of dispensing accuracy
- Fits every type of silo, bunker or holding container
- Readily retrofittable to existing silos

## **KURZ DOSIMAT**

FINE METERING DISPENSER FOR RELIABLE DISCHARGE  
AT HIGH LEVELS OF DISPENSING ACCURACY



## KURZ RANGE OF SERVICES

SILOS AND SILO  
INSTALLATIONS FOR:

- STONES AND EARTH/  
RAW MATERIAL  
CONDITIONING
- CONCRETE
- DRY MORTAR AND  
PAINTS
- ASPHALT
- RELOADING AND  
TRANSHIPPING  
INSTALLATIONS
- FOODSTUFFS,  
CHEMICALS
- POWER PLANTS
- ENVIRONMENTAL  
ENGINEERING

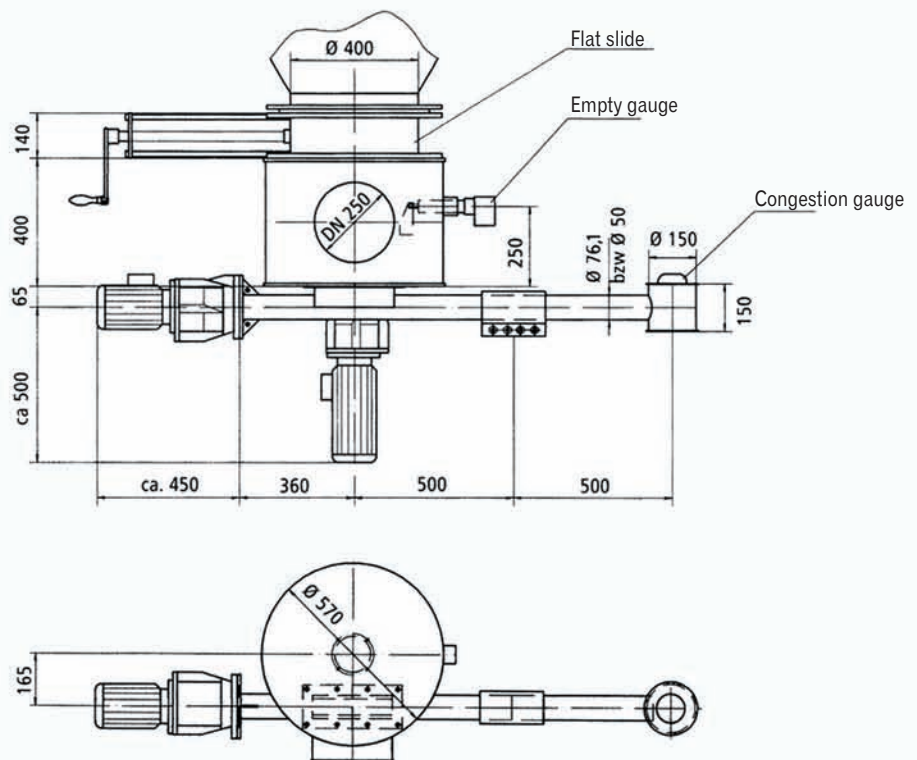
## KURZ DOSIMAT TYP FDG 550

THE **KURZ DOSIMAT** AND DISPENSES  
EVEN THE SMALLEST AMOUNTS.

- **Reliable discharge:** Discharge of bulk material is ensured by forced discharge from the holding container.
- **Accurate dispensing:** The **KURZ DOSIMAT** achieves a high level of dispensing accuracy due to 100% filling of the dispenser.

- **Applications:** For all dry bulk materials that are pourable but do not flow readily: foods, construction materials, also aggressive and contaminated substances.

### Dimensions and description of standard version



- **Handling:** Fits all silos, bunkers and holding containers. The **KURZ DOSIMAT** is installed in only a few steps and is then ready for operation.

#### • Versions:

**KURZ DOSIMAT** Typ 40:

Conveyance range 0 – max. 600 l/h.

**KURZ DOSIMAT** Typ 70:

Conveyance range 30 – max. 1.600 l/h.



Wilhelm Kurz & Söhne GmbH & Co. KG  
Steel Construction and Container Construction  
P.O. Box 1246 · D-74334 Brackenheim  
Phone: +49 (0)7135 175-0 · Fax: +49 (0)7135 175-75  
E-mail: [info@kurz-silosysteme.de](mailto:info@kurz-silosysteme.de)  
Internet: [www.kurz-silosysteme.de](http://www.kurz-silosysteme.de)

