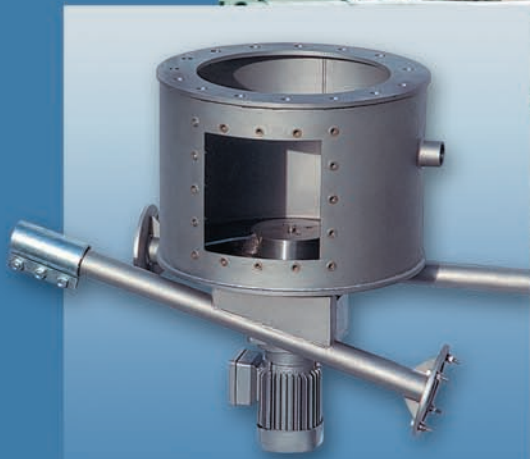


THE TECHNOLOGY
OF THE FUTURE



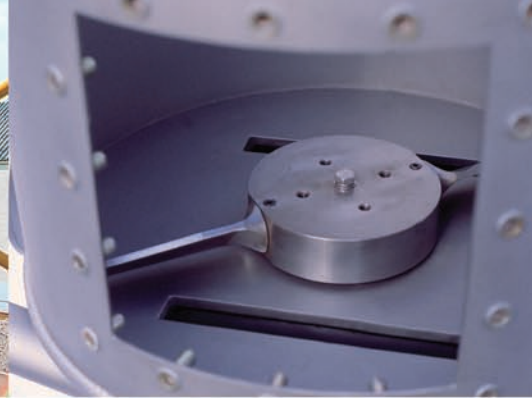
- Ideal discharging device for bulk materials that do not flow readily such as lime, gypsum, powders, dusts, etc.
- High level of dispensing accuracy
- Fits every type of silo, bunker or holding container
- Readily retrofittable to existing silos



KURZ **DOSIMAT**

FINE METERING DISPENSER FOR RELIABLE DISCHARGE
AT HIGH LEVELS OF DISPENSING ACCURACY





KURZ
PERFORMANCE
SPECTRUM

SILOS AND SILO
SYSTEMS FOR:

- ROCK AND SOILS / RAW MATERIAL PROCESSING
- CONCRETE
- MORTAR, PLASTERS AND PAINTS
- ASPHALT
- SILO SYSTEM CONSTRUCTION / BULK MATERIAL MANAGEMENT

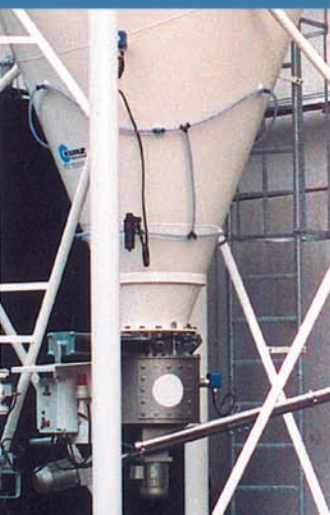
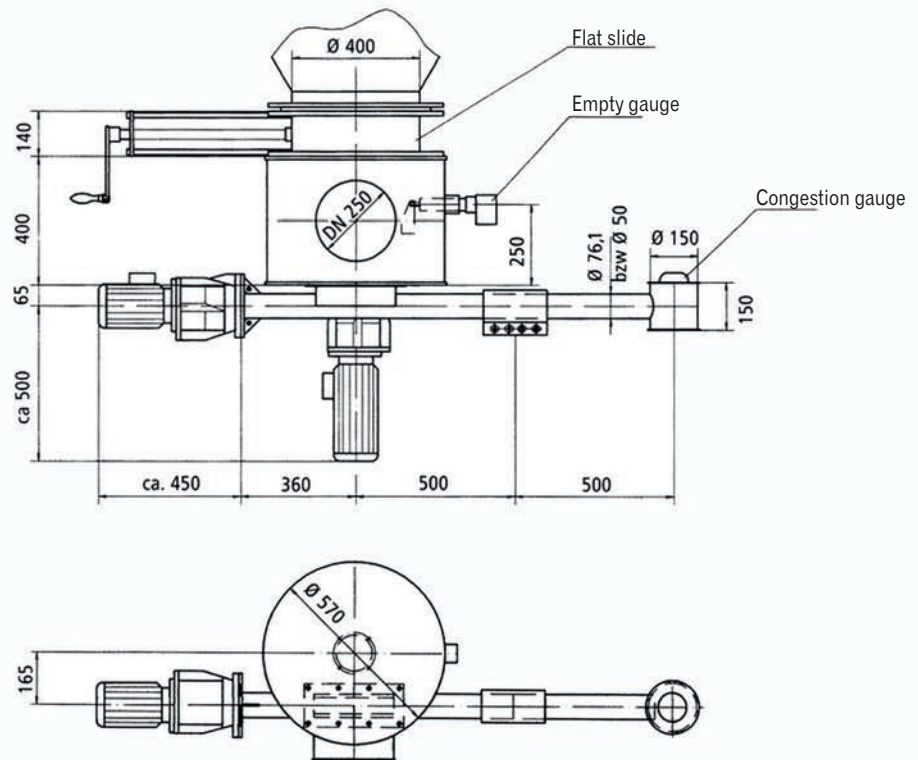
KURZDOSIMAT
TYP FDG 550

THE **KURZ** DOSIMAT AND DISPENSES
EVEN THE SMALLEST AMOUNTS.

- **Reliable discharge:** Discharge of bulk material is ensured by forced discharge from the holding container.
- **Accurate dispensing:** The **KURZDOSIMAT** achieves a high level of dispensing accuracy due to 100% filling of the dispenser.

- **Applications:** For all dry bulk materials that are pourable but do not flow readily: foods, construction materials, also aggressive and contaminated substances.

Dimensions and description of standard version



- **Handling:** Fits all silos, bunkers and holding containers. The **KURZ DOSIMAT** is installed in only a few steps and is then ready for operation.
- **Versions:**
KURZ DOSIMAT Typ 40:
Conveyance range 0 – max. 600 l/h.
KURZ DOSIMAT Typ 70:
Conveyance range 30 – max. 1.600 l/h.



Wilhelm Kurz & Söhne GmbH & Co. KG
steel construction and drum construction
Postbox 1246 · D-74334 Brackenheim
Telephone: +49 (0) 7135/175 - 0
Fax: +49 (0) 7135/175 75
E-mail: info@kurz-silosysteme.de
Internet: www.kurz-silosysteme.de

Regionalbüro Nord-West
Hubert Uhr · Ennigerloh
Telephone: +49 (0) 25 24/93 02-0
Fax: +49 (0) 25 24/93 02-30

Regionalbüro West
Frank Apel · Bergisch Gladbach
Telephone: +49 (0) 22 02/86 38-20
Fax: +49 (0) 22 02/86 38-22